

IL5 Series Indicator Lights

Features

- Wide range of rated voltage
- LED technology for low power consumption
- Reverse voltage protection
- UL Recognized File# E216958
- IP65 rated

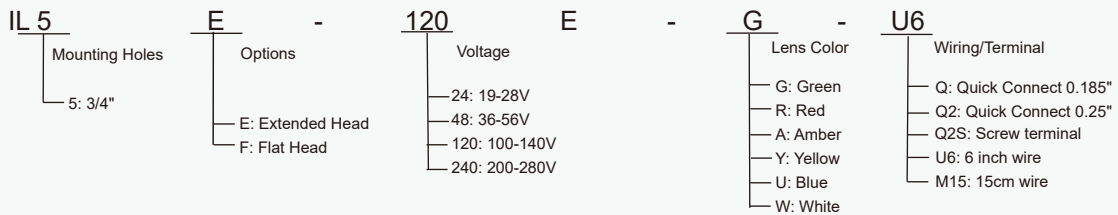
Applications

- Quick connect terminals for easy installation
- Switchboard panels up to 0.25" thickness

Specifications

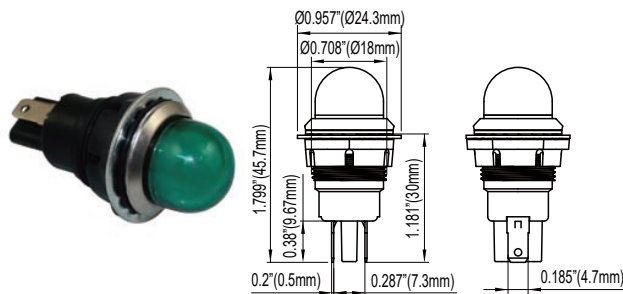
Mounting Holes	Ø0.708" (Ø18mm)
Power Consumption	10mA(Max)
Internal Resistor Value	24E (19-28V AC/DC): 2.2K Ohm 48E (35-56V AC/DC): 4.5K Ohm 120E (100-140V AC/DC): 20K Ohm 240E (200-280V AC/DC): 48K Ohm
Operating Temperature	-40~+85°C (-40~+185°F)
Service Life	Up to 100,000 hours
Degree of Protection	IP65

Selection Guide:

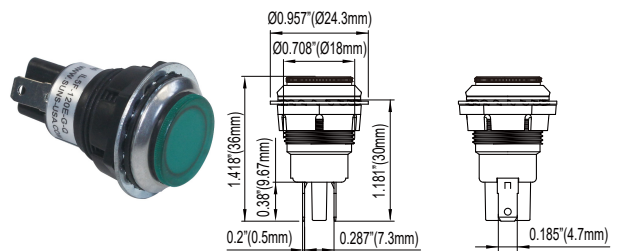


Dimensions:

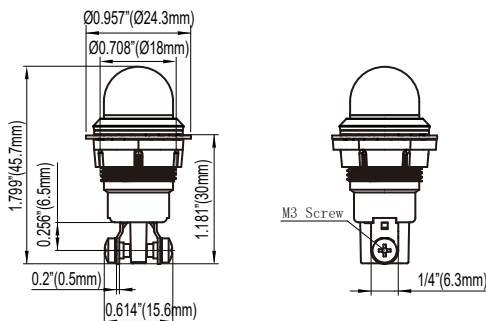
IL5E-*E-*-Q:



IL5F-*E-*-Q:



IL5E-*E-*-Q2S:



Spare Parts:

IL5-02G	Replacement Green Lens
IL5-02R	Replacement Red Lens
IL5-02Y	Replacement Yellow Lens
IL5-02A	Replacement Amber Lens
IL5-02W	Replacement White Lens
IL5-02B	Replacement Blue Lens